

4

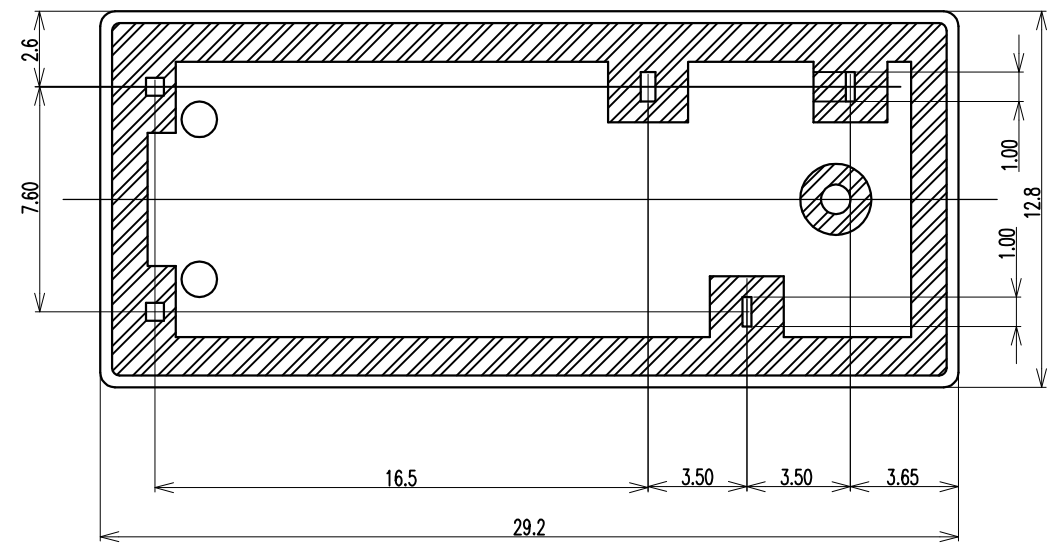
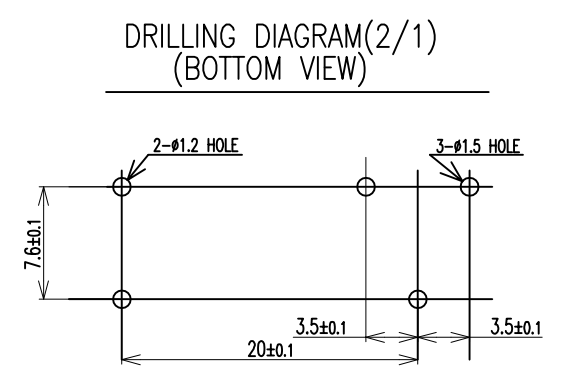
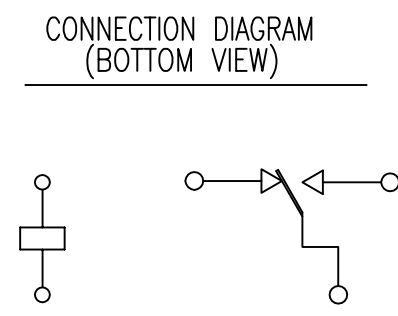
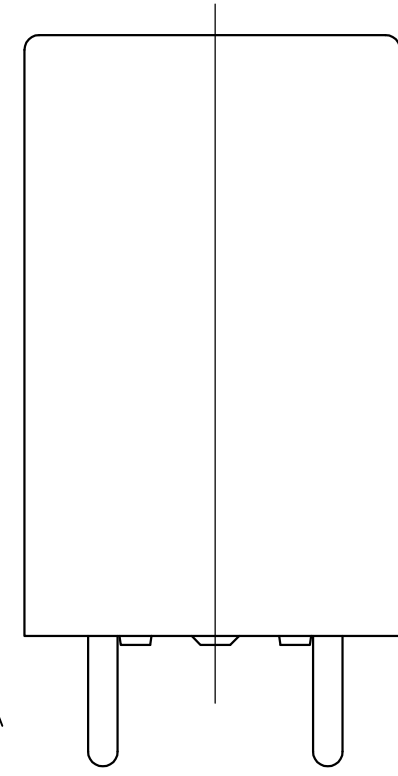
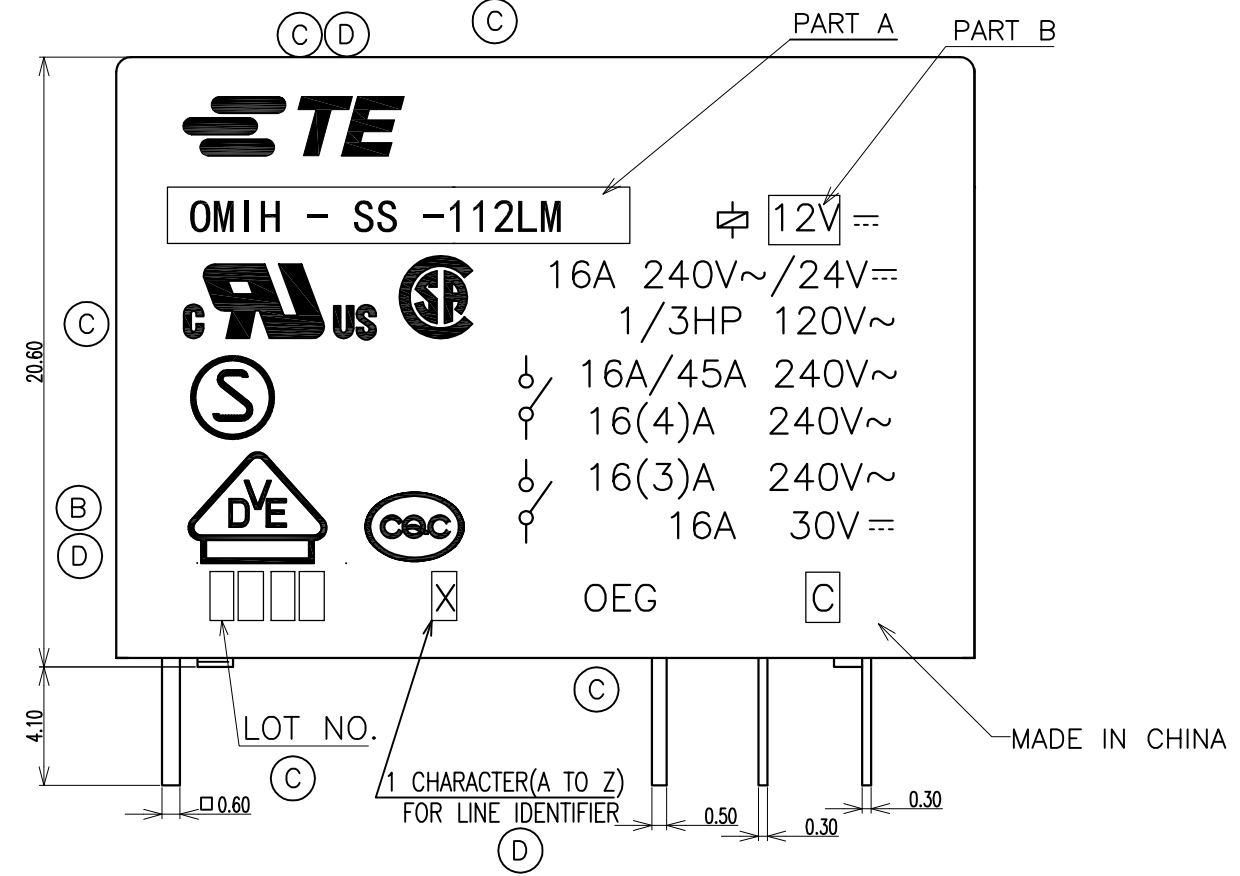
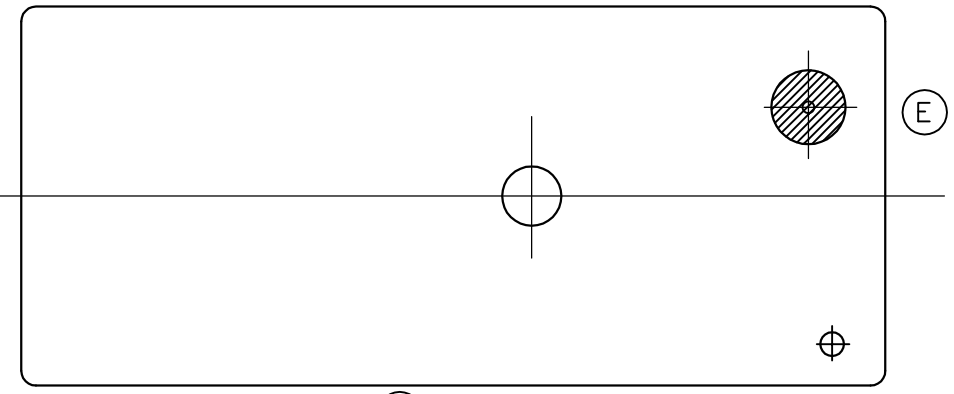
3

2

1

THIS DRAWING IS UNPUBLISHED. RELEASED FOR PUBLICATION
 © COPYRIGHT - By - ALL RIGHTS RESERVED.

LOC	DIST	REVISIONS					
		P	LTR	DESCRIPTION	DATE	DWN	APVD
HB	-		D	CHANGE LOGO, VENT; ADD CQC, LINE IDENTIFIER, PLATING THICKNESS ECO-12-005725	21-AUG-12	D.L	BH.Y
			E	CHANGE THE VENT HOLE SHAPE FROM RECTANGLE TO CIRCLE ONE ECO-13-015347	16-DEC-13	XL,Y	B,F



THIS DRAWING IS A CONTROLLED DOCUMENT.		DWN	-		
		CHK	Y.Xiao		
		APVD	N.Funayama		
		PRODUCT SPEC	CH.HSU		
		APPLICATION SPEC	-		
		WEIGHT	-		
		CUSTOMER DRAWING	-		
DIMENSIONS: mm		TOLERANCES UNLESS OTHERWISE SPECIFIED:		NAME	
		0 PLC	± -	TE TE Connectivity OMIH CUSTOMER DRAWING	
		1 PLC	± -		
		2 PLC	± -		
		3 PLC	± -		
		4 PLC	± -		
MATERIAL		FINISH	± -	SIZE	A3
				CAGE CODE	00779
				DRAWING NO	C-6-1440000-9
				RESTRICTED TO	-
				SCALE	1:1
				SHEET	1 of 2
				REV	E

4

3

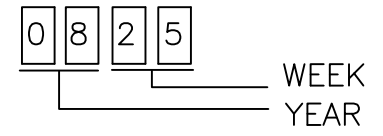
2

1

THIS DRAWING IS UNPUBLISHED. RELEASED FOR PUBLICATION -,- .
 © COPYRIGHT - By - ALL RIGHTS RESERVED.

LOC	DIST	REVISIONS					
		P	LTR	DESCRIPTION	DATE	DWN	APVD
HB	-						

- © NOTES:
 1. TERMINAL DIMENSION IS NOT INCLUDING SOLDER TIP.
 2. LOT NO. SYSTEM AS FOLLOWING:



3. GENERAL TOLERANCE AS FOLLOWING:

TOLERANCE	
0~0.99mm	±0.1
1mm~2.99mm	±0.2
3mm MIN.	±0.3

- ④ 4. FOR THE TIN-PLATING OF THE PINS:
 +0.1mm FOR WIDTH, THICKNESS AND DIAMETER.
 +0.5mm FOR LENGTH.

OMIH-SH-148L	7-1440000-7	OMIH-SH-148L	48V
OMIH-SH-148D	1-1461373-0	OMIH-SH-148D	48V
OMIH-SH-124L	1-1461373-4	OMIH-SH-124L	24V
OMIH-SH-124D	1461373-9	OMIH-SH-124D	24V
OMIH-SH-118L	7-1440000-2	OMIH-SH-118L	18V
OMIH-SH-118D	1461373-8	OMIH-SH-118D	18V
OMIH-SH-112L	7-1440000-0	OMIH-SH-112L	12V
OMIH-SH-112D	6-1440000-9	OMIH-SH-112D	12V
OMIH-SH-109L	1-1461373-3(B1)	OMIH-SH-109L	9V
OMIH-SH-109D	1461373-7	OMIH-SH-109D	9V
OMIH-SH-106L	1-1461373-2	OMIH-SH-106L	6V
OMIH-SH-106D	1461373-6	OMIH-SH-106D	6V
OMIH-SH-105L	1-1461373-1	OMIH-SH-105L	5V
OMIH-SH-105D	0-1461373-5(B1)	OMIH-SH-105D	5V
DESCRIPTION	TE PART NO	PART A	PART B

(B1) (C) RELAY TYPE (B1)

		UV RESIN	UV SEAL	17
		EPOXY RESIN	SEAL	16
UL94 V-0		PBT	CASE	15
CLASS E		UEW	MAGNETIC WIRE	14
UL94 V-0		PET	BASE	13
UL94 V-0		PBT	BOBBIN	12
	SOLDER DIP	CP WIRE	COIL TERMINAL	11
UL94 V-0		PPS	CARD	10
		Ag ALLOY	MOVABLE CONTACT	9
		Ag ALLOY	STATIONARY CONTACT	8
		Cu ALLOY	HINGE SPRING	7
	SOLDER DIP	Cu ALLOY	B TERMINAL	6
	SOLDER DIP	Cu ALLOY	M TERMINAL	5
	SOLDER DIP	Cu ALLOY	MOVABLE SPRING	4
		STEEL	CORE	3
		STEEL	ARMATURE	2
		STEEL	YOKE	1
INCOMBUSTIBILITY	TREATMENT	MATERIAL	DESCRIPTION	ITEM

THIS DRAWING IS A CONTROLLED DOCUMENT.		DWN	-		
		CHK	Y.Xiao		
		APVD	N.Funayama		
		PRODUCT SPEC	CH.HSU		
		APPLICATION SPEC	-		
		WEIGHT	-		
CUSTOMER DRAWING		SIZE	CAGE CODE	DRAWING NO	RESTRICTED TO
		A3	00779	6-1440000-9	-
		SCALE	SHEET	REV	
		1:1	2 of 2	E	